

# CLD Securus Screenfence

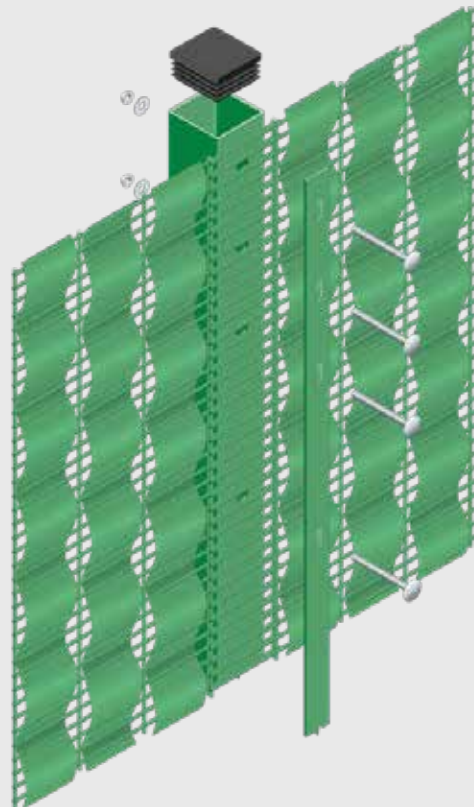
Privacy screening system



Find out more  
Scan for more information

## Description

CLD Screenfence is ideal when privacy is a priority and you need a screening system that guarantees restricted visibility of your premises, while giving your perimeter a modern vista that will last due to its increased durability despite its cost effectiveness. Screenfence is created by fitting the durable polyethylene (PE) screens to the mesh which are secured in place using custom made clip fixings and sturdy bolts, ensuring they'll stand up to vandals. Polyethylene is both UV stable and weatherproof, so screens will keep their colour even in varying temperatures and allowing your fencing system fit in perfectly with any surrounding environment.



## Features

Privacy ensuring screen system

UV stable and weather proof material

Ideal for security detention centres, Health facilities, schools, commercial

Exploded view of post and fixing details for the CLD Securus Screenfence  
This product has additional features not demonstrated for security reasons

# CLD Securus Screenfence

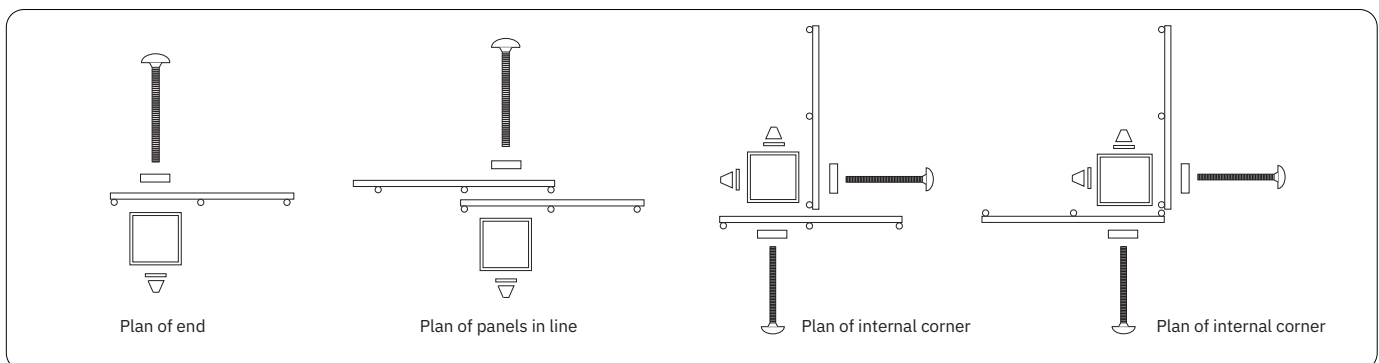
Privacy screening system

## Product Technical Information

Standard BS1722-14:2017  
BS EN ISO 141:2009  
BS EN 13438:2013

Panel Type	Mesh and wire 358 CLD Securus fence panel with durable polyethylene screen to create privacy fencing system.
Panel Width	2518mm
Wire Diameter	4mm
Mesh size	76.2 x 12.5 mm
Fixings	100mm x 5mm full length clamp bar. M8 cup square bolt with permacone nut, galvanised
Available Heights	1830mm, 2030mm, 2440mm, 3000mm - screen height can vary. Please specify.
Nominal Heights	1.8m, 2.0m, 2.4m, 3.0m
Finish	Polyester powder-coated to 60-80 microns or 160-200 microns with marine grade and metallics. Any RAL colour available
Top Edge Projection	25mm
Panel installation	Bottom of panel approx 40mm above ground
Topping Options	SHS, galvanised after manufacture and polyester powder-coated to match fencing
Posts	80mm x 60mm
Post Dimensions	2520mm
Post Centres	Set posts in holes 300mm diameter and 800mm deep min. Note: Contractor/ client is responsible for the foundation size suitable for the ground conditions
Foundations	
Warranty	Mesh: Minimum of 15 years against manufacturing defects. Weave: minimum 2 years guarantee, against colour fading

## System Details



## Disclaimer

Fencing should be installed in accordance with BS 1722-14. Every care has been taken to ensure that all information provided on this data sheet is accurate. CLD Fencing Systems Ltd reserves the right to change product specification at any time. Please ensure that you have the latest information which can be found on our website or by contacting our team.

Document Reference - CLD\_Securus\_Screenfence\_20230331